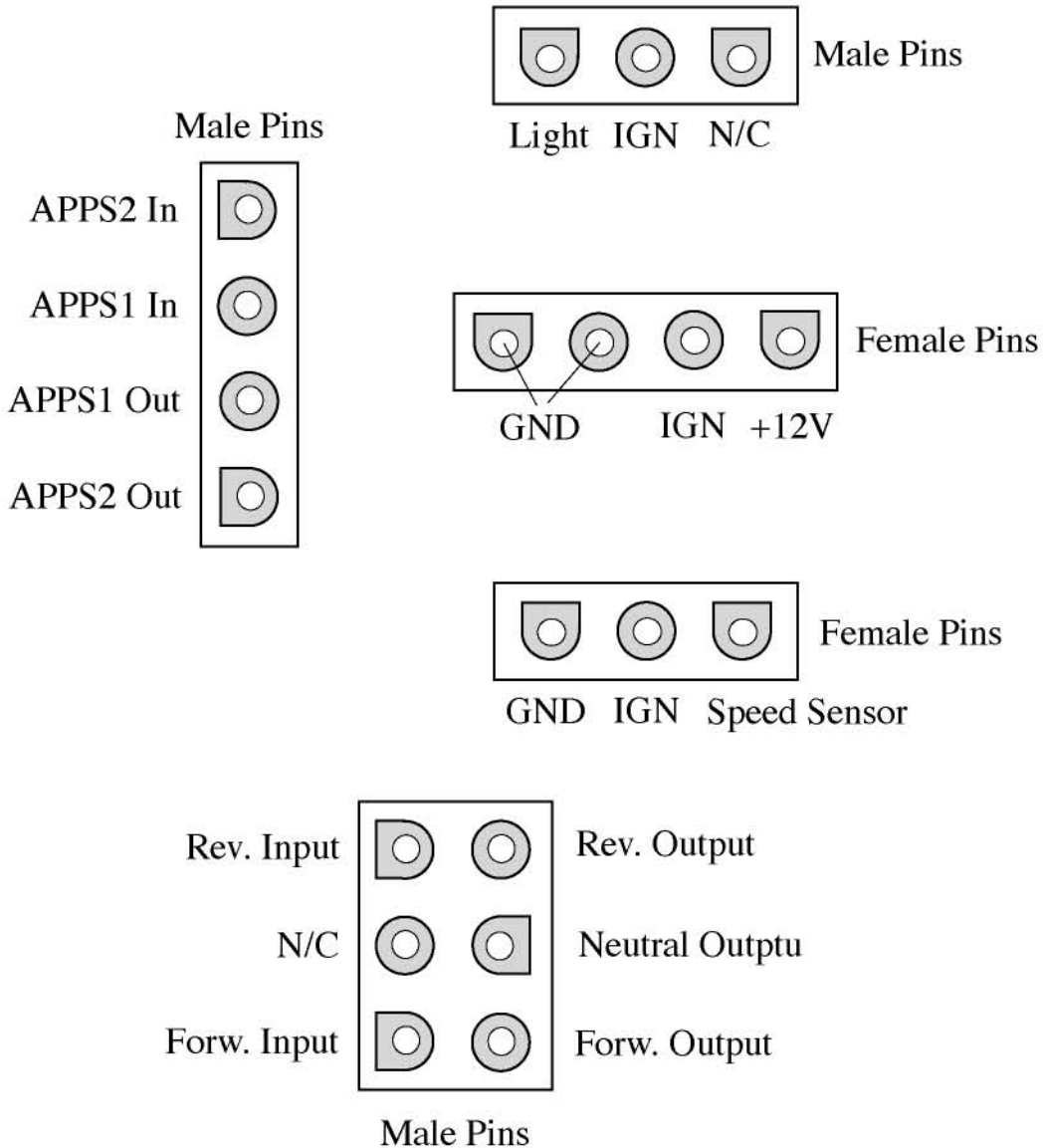


DotLok MP w/ Eng. Bk. Pin-Out Harness View



Note: This version of DotLok installs at the shift lever and is Ground Switched
Connectors: AMP/Molex Soft-shell