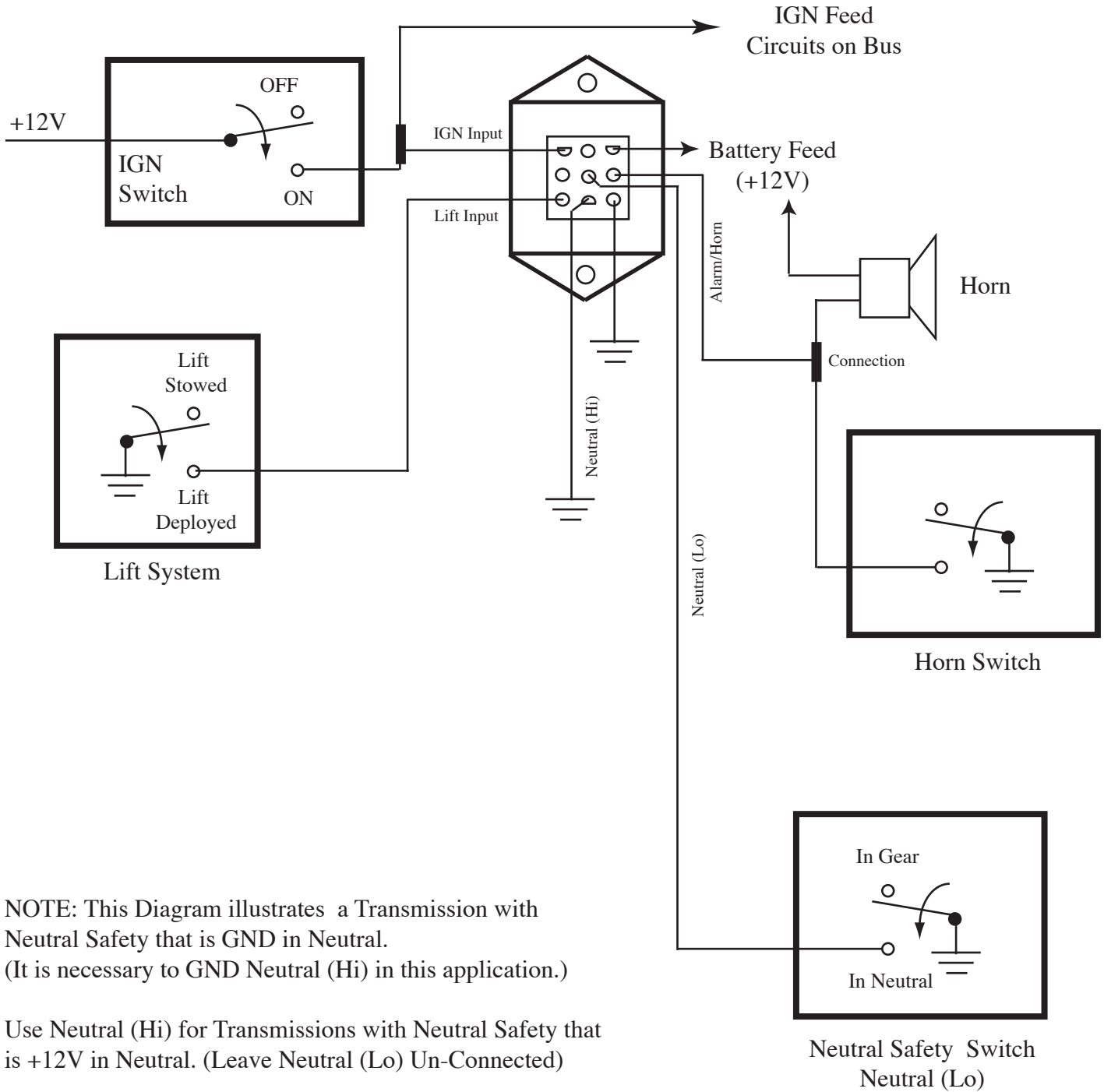


Idle Controller Installation (Bus)



NOTE: This Diagram illustrates a Transmission with Neutral Safety that is GND in Neutral.
(It is necessary to GND Neutral (Hi) in this application.)

Use Neutral (Hi) for Transmissions with Neutral Safety that is +12V in Neutral. (Leave Neutral (Lo) Un-Connected)